

LOOP GLASS PUSH PLATE

(9.240.657 - Black/Black)

TECE:

intelligent housing
technology

Suitable for use with all TECE Cisterns

Sheeting Requirements (Prior to tiling):
Standard Mount - 18mm non flex board
Flush Mount - 25mm non flex board

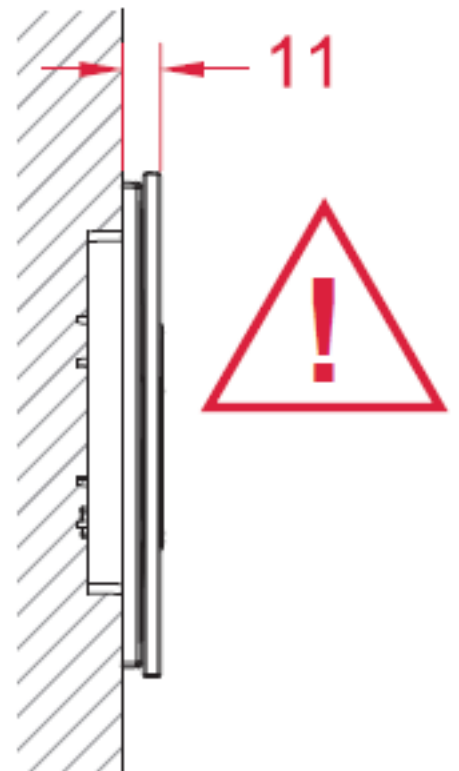
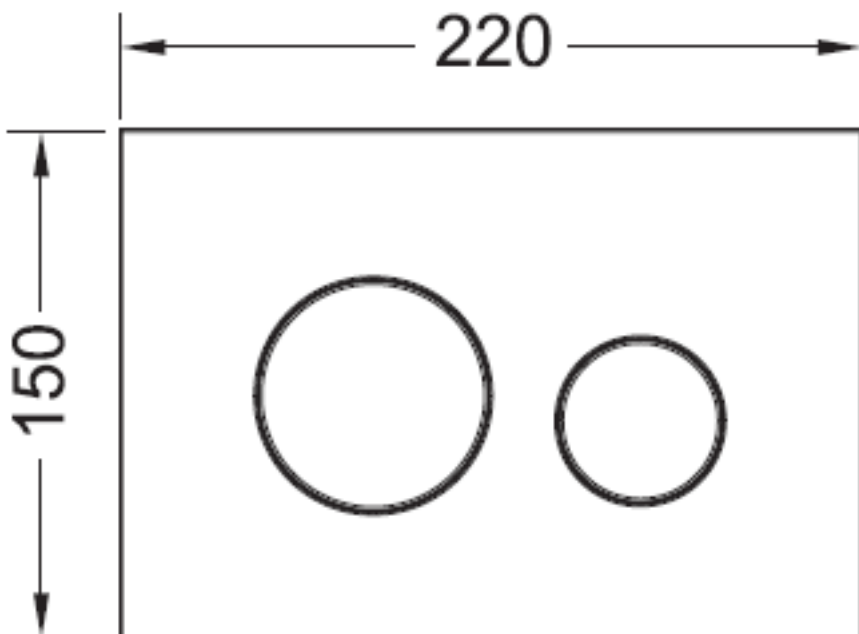
Note:

Flush mounting requires
TECE Flush Mount Kit which is sold separately

White - 9.240.646

Black - 9.240.647

Chrome - 9.240.649



Proudly imported and distributed by
Gro Agencies Pty Ltd
Unit 2 / 37 Howe St, Osborne Park, WA, 6017
P 08 9446 3288 E info@groagencies.com.au W www.groagencies.com.au

gro
agencies